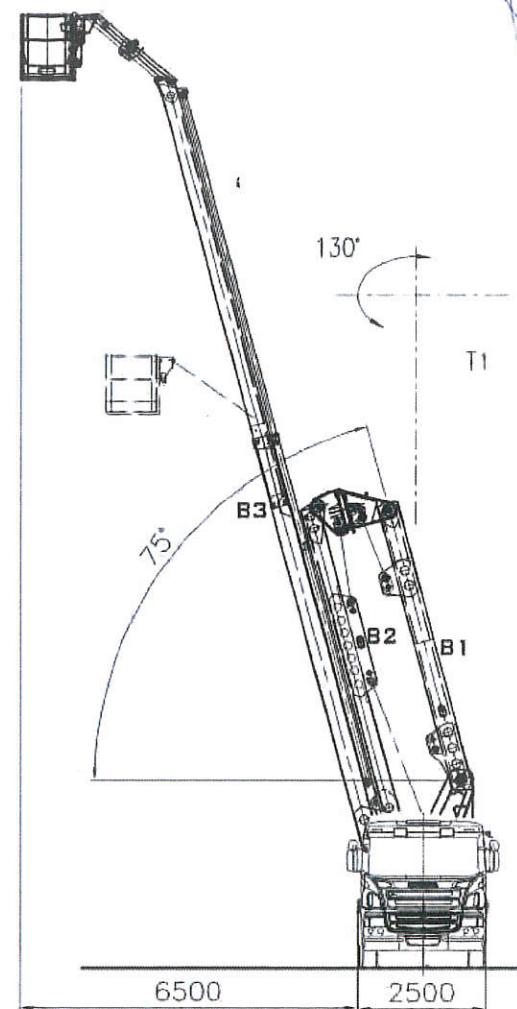
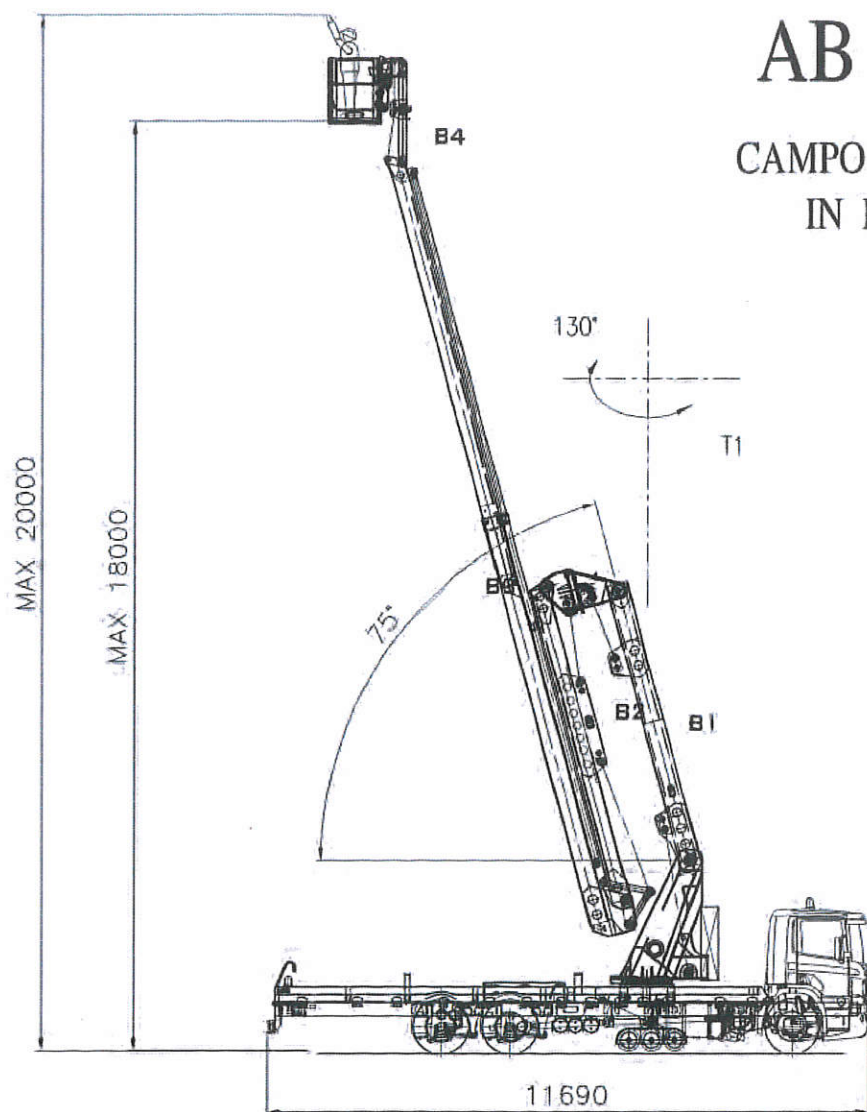




AB 20 / S

CAMPO DI LAVORO
IN POSITIVO



PORTATA IN PIATTAFORMA : 300 kg

SUBJECT TO SLIGHT MODIFICATIONS

barin	denom.ne GENERAL SCHEME		matr. Italia	dis.n. 12515	lav.n.
	compl.vo AB		data 12/04/2017		scale 1:100
	CAD DWG	nt. dis.n.	dis. B. Cestaro	cont. Ing Zuccolo Tristano	
	- cittadella pd - tel.049/5871300 fax 049/9403229 - http://www.barin.it E-mail:info@barin.it every partial is forbidden by law-use and spreading to third parties is forbidden-copyright				